



FOR THE DEALER NEAREST YOU CALL: **1-800-525-0107**

www.merrittequipment.com

Builder of High Performance, High Quality Truck Products

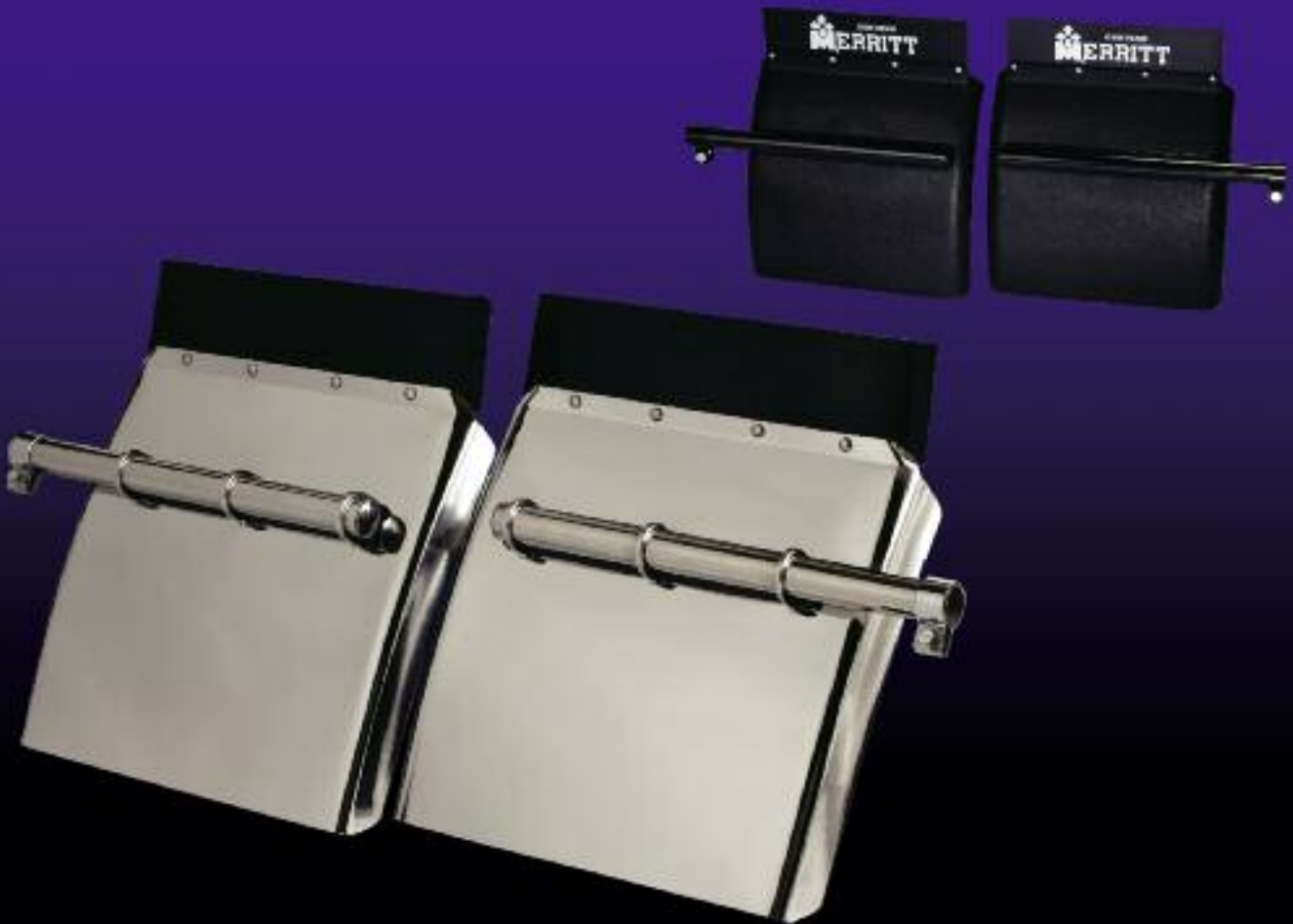
Follow us on Facebook!! 

- ▲ Two S/S alloys to choose from, 304 – a longer lasting alloy or 430 – a more affordable alloy.
- ▲ Both alloys are polished to a high degree of luster for a bright and good looking addition to your truck.

- ▲ Three sizes of fenders available in S/S; 24", 27" or 29", you can select the length you need.
- ▲ Quarter fender kits include;
 - 2 Quarter fenders
 - 2 Top flaps
 - 2 Mounting clamps
 - Nut and bolt package

- ▲ The black poly fender is made of thick, tough polymer for a long life.
- ▲ All Quarter Fenders are stocked in our 12 warehouse locations, for quick delivery to you.
- ▲ Service and support that you expect from the Merritt family of products.

QUARTER FENDERS s/s & POLY



QUARTER FENDERS

ORDER INFORMATION

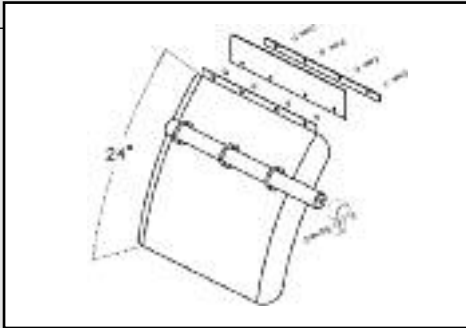
430 STAINLESS STEEL-ROUND TUBE MOUNT

Part #

5070-2

Weight: 33 lbs

Size: 24" X 24"



304 STAINLESS STEEL-ROUND TUBE MOUNT

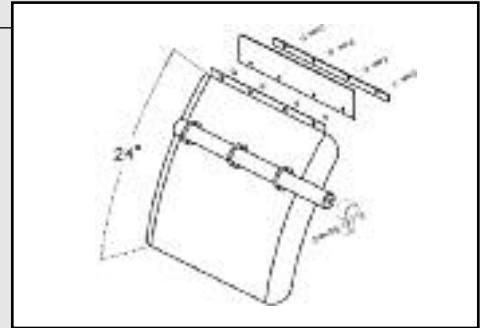
Part #

5080-2

Weight: 33 lbs
Size: 24" X 24"

5081-2

Triangular Mount
Weight: 34 lbs



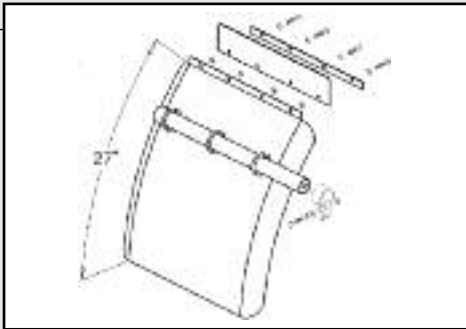
430 STAINLESS STEEL-ROUND TUBE MOUNT

Part #

5072-2

Weight: 34 lbs

Size: 24" X 27"



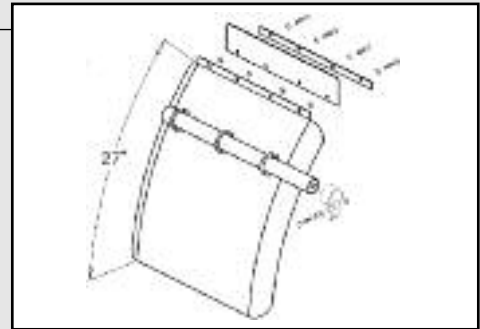
304 STAINLESS STEEL-ROUND TUBE MOUNT

Part #

5082-2

Weight: 34 lbs

Size: 24" X 27"



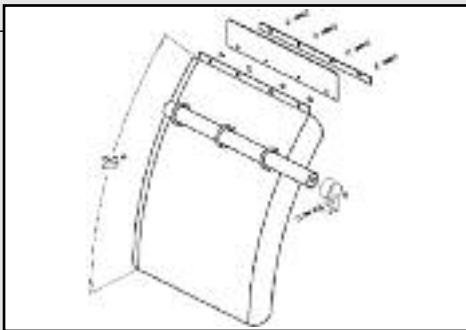
430 STAINLESS STEEL-ROUND TUBE MOUNT

Part #

5074-2

Weight: 35 lbs

Size: 24" X 29"



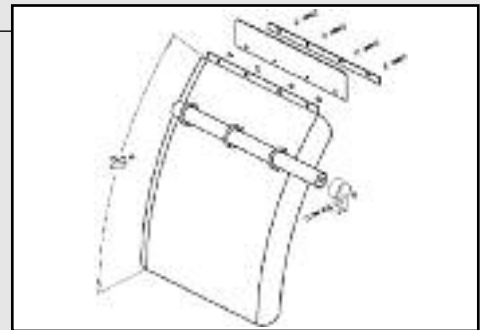
304 STAINLESS STEEL-ROUND TUBE MOUNT

Part #

5084-2

Weight: 33 lbs

Size: 24" X 29"



BLACK POLY-ROUND TUBE MOUNT

Part #

5060-2

Weight: 34 lbs

Size: 24" X 24"

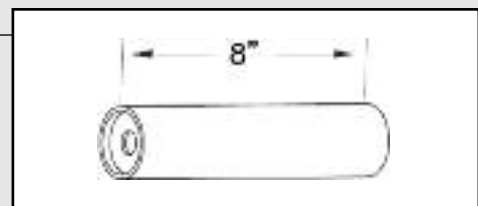


Mounting Post - Zinc Plated

Part #

573-2 Pair

Weight: 5 lbs



Models and/or Specifications Subject to Change Without Notice.

F.O.B. - Atlanta GA, Birmingham AL, Dallas TX, Henderson CO, Houston TX, Minneapolis MN, Nashville TN, Pittsburgh PA, Sacramento CA, Kansas City KS, Calgary, AB (Canada), Toronto, ON (Canada)

