



FOR THE DEALER NEAREST YOU CALL: **1-800-525-0107**

www.merrittequipment.com

Builder of High Performance, High Quality Truck Products

Follow us on Facebook!!

- ▲ New system requires no drilling of the frame to mount.
- ▲ Strong, durable, easy to install.
- ▲ A quick and simple solution to drilling the frame.
- ▲ Easy to move from truck to truck.

- ▲ Fits all Merritt side mount Tool-boxes.
- ▲ All steel parts are Zinc plated for longer life cycle.
- ▲ Load rating equal to the Merritt box rating being mounted.

- ▲ For those who do not wish to drill their frame
- ▲ Normal hand tools used for installation
- ▲ Stocked in most Merritt warehouse locations.

E-Z TOOLBOX MOUNT



Model # 620 for 18" deep boxes
Model # 621 for 21" deep boxes



Clamps to flange, no frame drilling!



All hardware for the installation is included in the kit.



Secure, FAST to install and looks good.

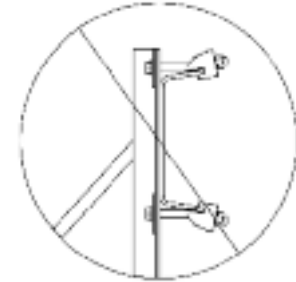
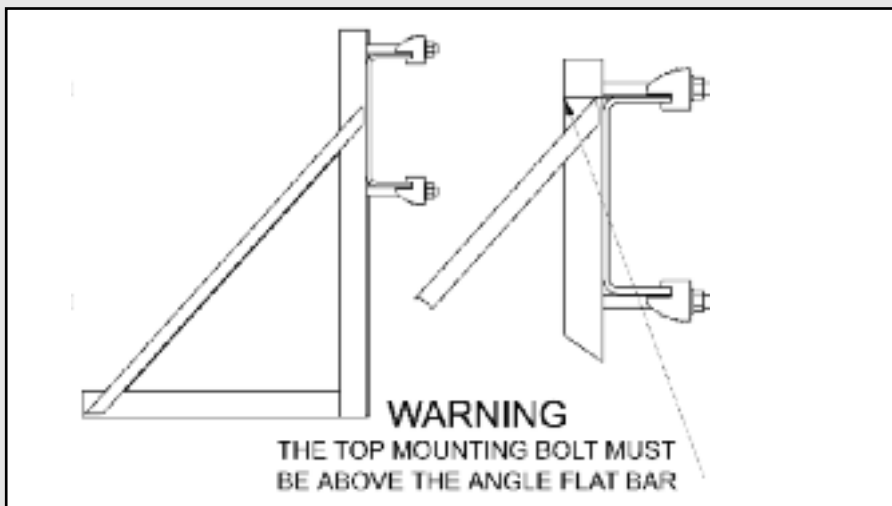
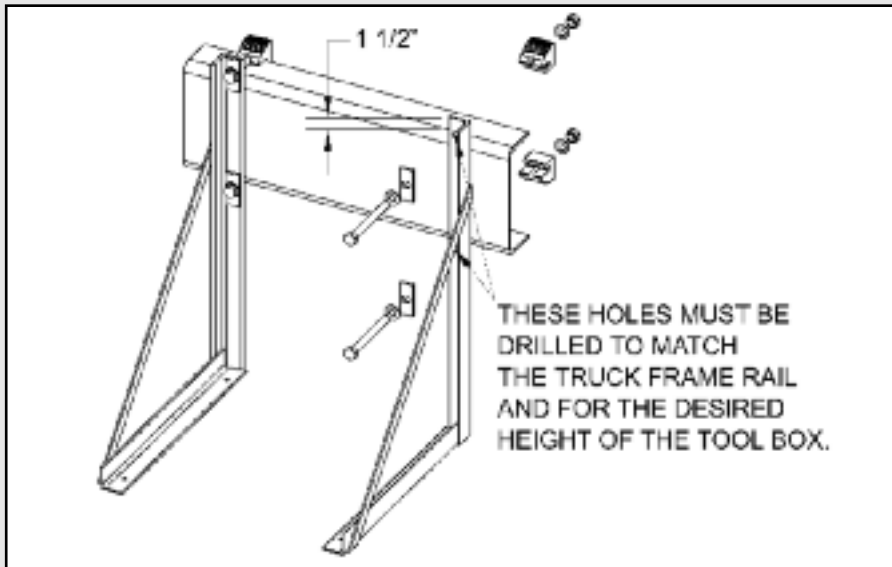


E-Z TOOLBOX MOUNT

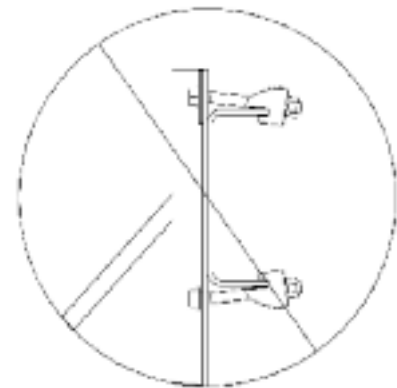
ORDER INFORMATION

Order #	Description/Dimensions H x D x L	Shipping Wt. Lbs.
620	Mounting Kit for 18" tool boxes	24
621	Mounting Kit for 24" tool boxes	31

- ▲ Kit includes 1 right & 1 left "L" bracket and the E-Z Clamp.
- ▲ Kit also includes all hardware to mount the brackets to the frame.
- ▲ Kit does not include the hardware to mount the box to the bracket.
- ▲ Must be installed to Merritt specifications, see mounting instructions



WARNING
IF THE FLANGE OF THE RAIL DEFORMS WHEN TIGHTENING THE BOLTS THE NO-DRILL MOUNT CANNOT BE USED



WARNING
DO NOT MISALIGN BOLTS
BOLTS MUST BE PARALLEL TO THE FRAME RAIL FLANGE

- ▲ To be used on frames with a 7/16" flange thickness and smaller.

Models and/or Specifications Subject to Change Without Notice.

F.O.B. - Atlanta GA, Birmingham AL, Dallas TX, Henderson CO, Houston TX, Minneapolis MN, Nashville TN, Pittsburgh PA, Sacramento CA, Kansas City KS, Calgary, AB (Canada), Toronto, ON (Canada)

GENUINE
MERRITT
®
1-800-525-0107