



FOR THE DEALER NEAREST YOU CALL: [1-800-525-0107](tel:1-800-525-0107)
www.merrittequipment.com

Builder of High Performance, High Quality Truck Products

- ▲ Constructed of high strength/low weight aluminum.
- ▲ Protective coating on smooth doors for improved shipping protection (to be removed at time of installation.)
- ▲ 40 Standard base models
- ▲ Polished stainless steel T- handle latches with locks.
- ▲ Doors available in smooth finish or diamond plate. All smooth doors are polished to a # 8 grade for an exceptional appearance.
- ▲ Piano style door hinge.
- ▲ Stainless Steel doors are available by special order.
- ▲ Custom sizes and designs are available to meet specific needs.
- ▲ Door lanyard option available.
- ▲ Stocked in most Merritt warehouse locations.

ALUMINUM TOOL BOXES



Diamond Plate Double Door



Diamond Plate Single Door



Smooth Single Door



Smooth Double Door

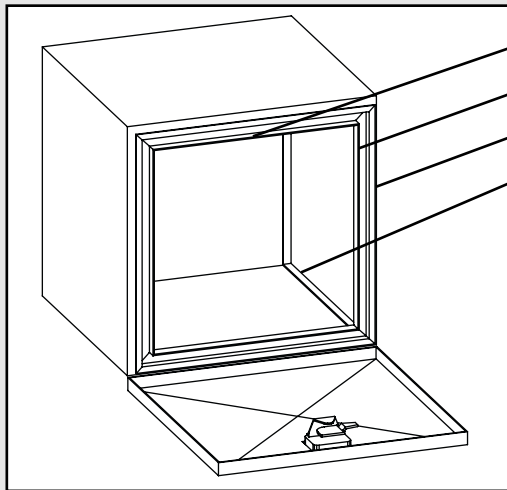
ALUMINUM TOOL BOXES

ORDER INFORMATION

Order #	Description/Dimensions H x W x L	Weight Lbs.	Order #	Description/Dimensions H x W x L	Weight Lbs.
201	18x18x18 Smooth Single Door	25	202	18x18x24 Dia. Plate Single Door	28
203	18x18x24 Smooth Single Door	36	204	18x18x24 Dia. Plate Single Door	37
205	18x18x30 Smooth Single Door	42	206	18x18x30 Dia. Plate Single Door	43
207	18x18x36 Smooth Single Door	48	208	18x18x36 Dia. Plate Single Door	49
287	18x18x36 Smooth Double Door	49	288	18x18x36 Dia. Plate Double Door	50
209	18x18x48 Smooth Single Door	60	210	18x18x48 Dia. Plate Single Door	61
211	18x18x48 Smooth Double Door	61	212	18x18x48 Dia. Plate Double Door	62
289	18x18x60 Smooth Single Door	69	290	18x18x60 Dia. Plate Single Door	70
291	18x18x60 Smooth Double Door	70	292	18x18x60 Dia. Plate Double Door	71
213	24x24x24 Smooth Single Door	47	214	24x24x24 Dia. Plate Single Door	48
215	24x24x30 Smooth Single Door	56	216	24x24x30 Dia. Plate Single Door	57
217	24x24x36 Smooth Single Door	64	218	24x24x36 Dia. Plate Single Door	65
235	24x24x36 Smooth Double Door	61	236	24x24x36 Dia. Plate Double Door	61
219	24x24x48 Smooth Single Door	77	220	24x24x48 Dia. Plate Single Door	78
221	24x24x48 Smooth Double Door	79	222	24x24x48 Dia. Plate Double Door	80
223	24x24x60 Smooth Single Door	105	224	24x24x60 Dia. Plate Single Door	106
225	24x24x60 Smooth Double Door	107	226	24x24x60 Dia. Plate Double Door	108
293	18x24x48 Smooth Single Door	66	294	18x24x48 Dia. Plate Single Door	67
295	18x24x48 Smooth Double Door	67	296	18x24x48 Dia. Plate Double Door	68
297	18x24x60 Smooth Single Door	87	298	18x24x60 Dia. Plate Single Door	88
299	18x24x60 Smooth Double Door	88	300	18x24x60 Dia. Plate Double Door	89

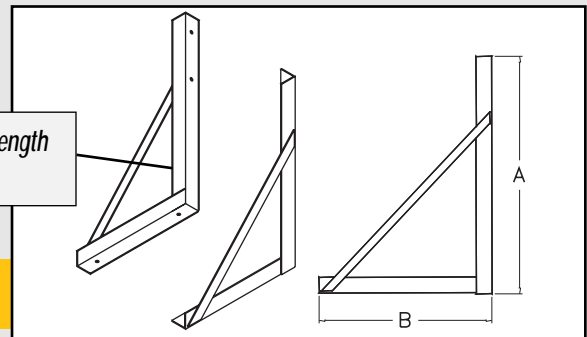
* STAINLESS STEEL DOOR OPTION AVAILABLE

* CUSTOM DESIGNS & SIZES AVAILABLE



- ▲ UHMW Plastic used on striker plate for longer latch assembly life and easier operation
- ▲ Automotive grade door seals, secures the entire perimeter, for a more water resistant seal
- ▲ Merritt's extruded door frame provides a weather tight seal.
- ▲ Lap joint weld provides material overlap in the corner where it is needed for superior strength and longer life (compared to most boxes that are constructed with butt welds).

▲ Vertical angle is high strength alloy and 1/4" thick



ZINC PLATED STEEL MOUNTING BRACKETS

Order #		A	B
117	For 18" Deep Tool Box	23-13/16"	16"
118	For 24" Deep Tool Box	29-13/16"	22"

- ▲ Steel for strength and low cost, Zinc Plated for lasting good looks!
- ▲ Available for 18" or 24" deep Tool Boxes
- ▲ Lightweight design - 117 only 18 lbs, 118 only 25 lbs.

Models and/or Specifications Subject to Change Without Notice.

F.O.B. - Atlanta GA, Birmingham AL, Dallas TX, Henderson CO, Houston TX, Minneapolis MN, Nashville TN, Pittsburgh PA, Sacramento CA, Kansas City KS, Calgary, AB (Canada), Toronto, ON (Canada)

